

GRAVEL ROAD MAINTENANCE

IMPACTS ON GRAVEL ROADS

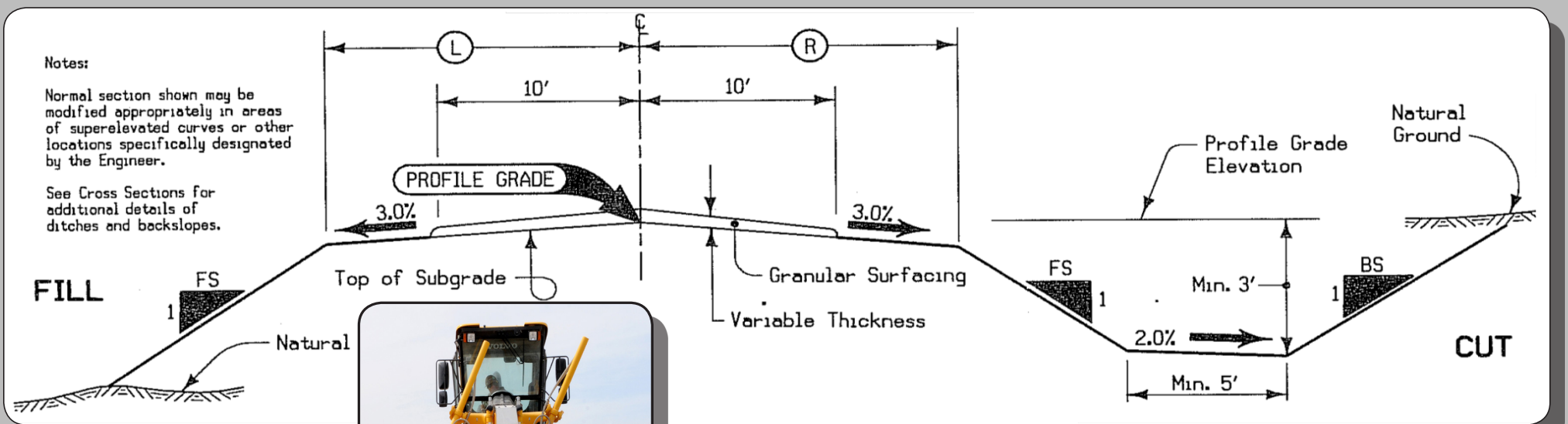
- Moisture enters the road from potholes or because of shallow or nonexistent ditches
- Quantity, weight and speed of vehicles
- Strength of subgrade and thickness of base
- Construction quality including moisture content, proper compaction and material quality
- Regular and proper maintenance

ROUTINE MAINTENANCE OPERATIONS

- Reshaping of channels and side slopes
- Restoring erosion controls
- Cleaning and repairing culverts
- Removing slides
- Mowing and trimming trees
- Replacing topsoil, sod, shrubs, etc.

ROAD ASPECTS & SHAPE

- Center should be higher than the outside edges (called crown) to provide the best drainage
- Subgrade can be fill material or existing soil
- Base adds strength to subgrade and provides support for the surface
- Surface material is driven on and must provide a good riding surface, wear resistance, skid resistance and waterproofing



GRADER OPERATION

- Correct angle and pitch are important
- Improper angle can cause excessive aggregate loss
- Three operating modes: *straight mode* - for long pass blading, dry-ditch cleaning, blading shoulders or scarifying; *articulated mode* - for short turns, spreading material and cutting a high bank; *crab mode* - for heavy windrowing, wet ditch cleaning or cutting a bank on a gentle slope

For more information on the
Gravel Roads Maintenance course
or other MO-LTAP courses, please contact:



710 University Drive, Ste. 121 • Rolla, MO 65409
1.866.MORoads • www.moltap.org